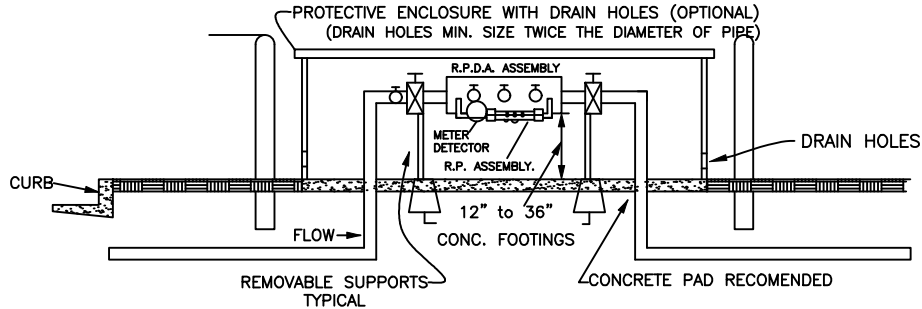


PROTECTIVE ENCLOSURE WITH DRAIN HOLES (OPTIONAL)
(DRAIN HOLES MIN. SIZE TWICE THE DIAMETER OF PIPE)

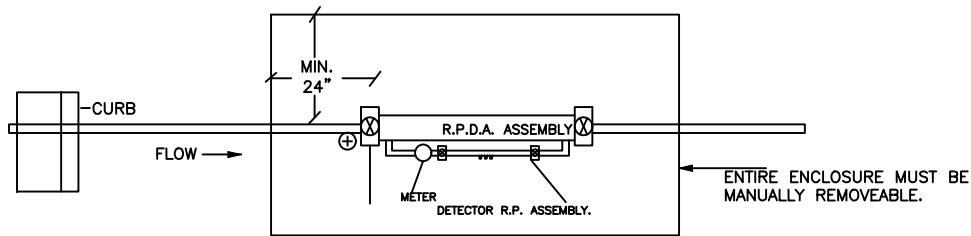


SIDE VIEW

MIN. CLEARANCE

SIZE RP	A	B	C
1" TO 3"	12"	24"	12"
4" & UP	24"	24"	12"

NOTE:
MUST BE INSTALLED ABOVE GROUND



TOP VIEW

NOTES:

1. ALL PIPES TO BE GALVANIZED STEEL OR DUCTLINE IRON. COPPER PIPE MAY BE USED ONLY WITH A BRASS RP VALVE.
2. ONE ADJUSTABLE SUPPORT REQUIRED FOR 2 1/2"-4" RP VALVES. SUPPORT UNDER CENTER FLANGE OF RP VALVE OR INSIDE FLANGE OF GATE VALVE.
3. TWO ADJUSTABLE SUPPORTS REQUIRED FOR RP VALVES--6" OR LARGER. POSITION SUPPORTS BENEATH INSIDE FLANGE OF GATE VALVES PER MANUFACTURES SPECIFICATIONS.
4. FREEZE AND VANDALISM PROTECTION MAY BE REQUIRED.
5. ONLY BACKFLOW-PREVENTION ASSEMBLIES WHICH HAVE BEEN APPROVED BY THE UNIVERSITY OF SOUTHERN CALIFORNIA FOUNDATION FOR CROSS-CONNECTION CONTROL AND HYDRAULIC RESEARCH ARE ACCEPTABLE FOR INSTALLATION BY A WATER USER CONNECTED TO THE CITY'S POTABLE WATER SYSTEM. NO TAPS OR TEES OR CONNECTIONS PERMITTED BETWEEN WATER METER AND BACKFLOW ASSEMBLY.
6. R.P. VALVE MUST BE ACCESSIBLE FOR TESTING AND INSTALLED NEAR PROPERTY LINE AND DOWNSTREAM FROM THE WATER METER.
7. RELIEF VALVE MUST FACE AWAY FROM BUILDING WALLS AND OTHER OBSTRUCTIONS.
8. PROVIDE POSITIVE DRAINAGE TO STREET AND TO EXTERIOR OF BLDG. WHEN INSTALLED INTERIOR.
9. ALL BACKFLOW PREVENTERS MUST BE TESTED BY A CERTIFIED TESTER APPROVED BY PUBLIC WORKS & RESULTS SUBMITTED TO PUBLIC WORKS FOR FINAL ACCEPTANCE.
10. ASSEMBLY SHALL BE THE SAME SIZE AS THE WATER SUPPLY LINE PER UNIFORM PLUMBING CODE.
11. PRESSURE LOSS THROUGH THE RP ASSEMBLY MUST BE INCLUDED IN PRESSURE LOSS CALCULATIONS FOR SIZING OF THE WATER SYSTEM PER UNIFORM PLUMBING CODE.
12. INSTALL A MINIMUM OF ONE UNION IN THE PIPING SYSTEM RISER WITHIN 12 INCHES OF THE ASSEMBLY - 3/4 THRU 2" SIZES.

**REDUCED PRESSURE PRINCIPAL
DETECTOR ASSEMBLY BACKFLOW PREVENTER
FIRE SPRINKLER SYSTEM WITH FDC AND CLASS III, IV & V**

REF. & REV.
MARCH 2005
AUG. 2008
NOV. 2022

CITY OF MADERA

W-15