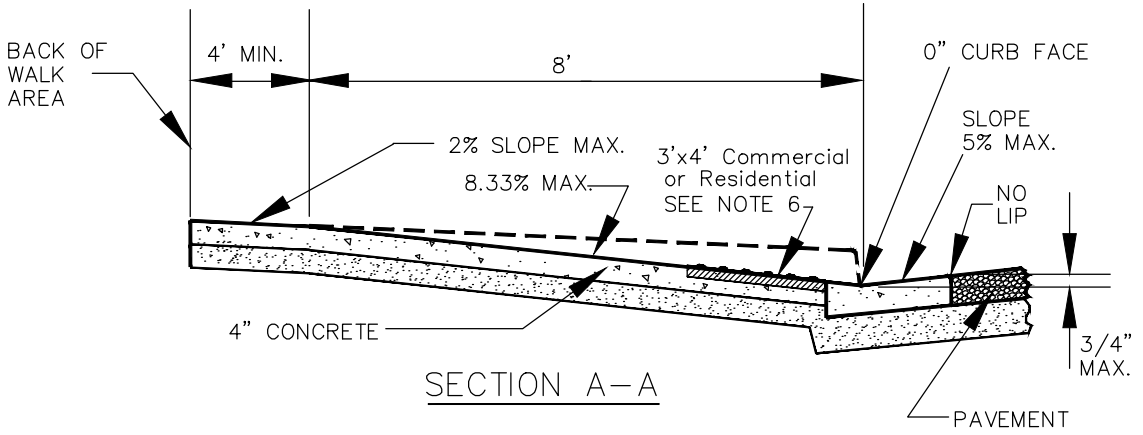


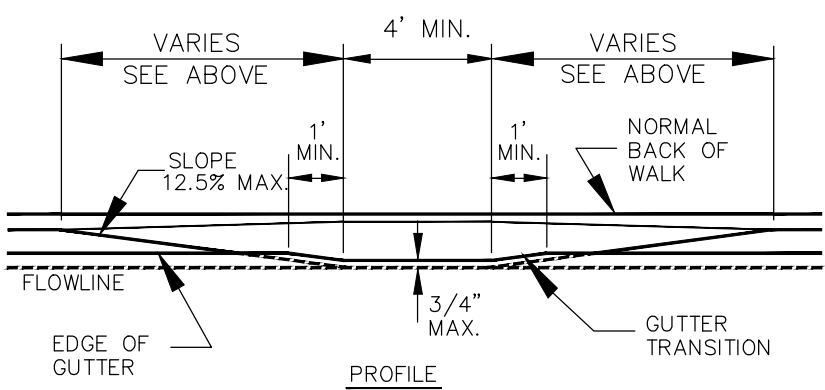
RADIUS DETAILS
SCALE 1"=10'

NON-CONTIGUOUS SIDEWALK

CONTIGUOUS SIDEWALK



SECTION A-A



- NOTE:**
1. RAMPS NEED NOT BE CONSTRUCTED WHERE THERE ARE NO PEDESTRIAN FACILITIES. IF SUCH FACILITIES ARE ADDED LATER, THEN RAMP MUST BE INSTALLED AT THAT TIME.
 2. RAMPS TO BE LOCATED BY THE CITY ENGINEER WHEN IMPRACTICAL TO BE AT CENTERLINE RADIUS.
 3. LOWER END OF RAMP SHALL BE FLUSH WITH ADJACENT GUTTER SURFACE.
 4. ALL RAMP SURFACES SHALL HAVE A ROUGH BROOM FINISH FOR MARKED CONTRAST FROM SIDEWALK FINISH.
 5. DETECTABLE WARNING PANELS SHALL BE YELLOW AS MANUFACTURED BY ADA SOLUTIONS, INC., OR ARMORCAST OR EQUAL.
 6. REFER TO CALTRANS REVISED STANDARD PLAN "RSP A88A", REVISED JULY 3, 2015, FOR ADDITIONAL REQUIREMENTS.

CURB ACCESS RAMP

REF. & REV.
MARCH 2005
AUG. 2008
JUNE 2009
MARCH 2015
APRIL 2016

CITY OF MADERA

ST-16