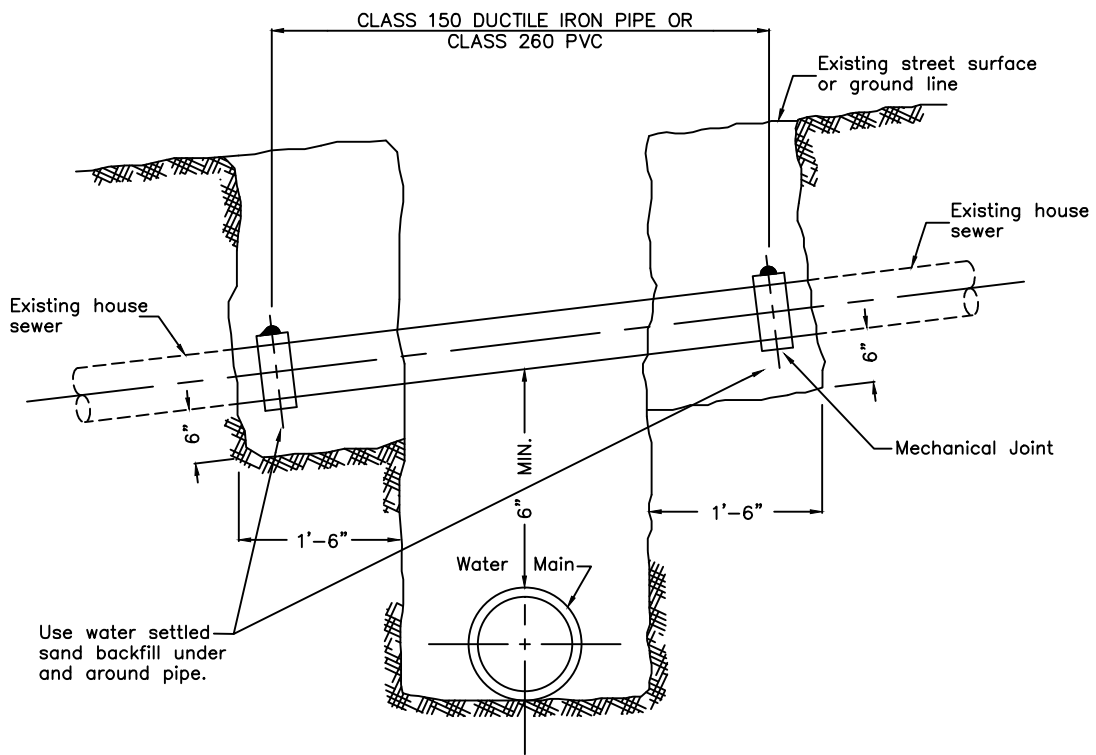


PLAN



ELEVATION

**REPLACEMENT OF HOUSE
SEWER CROSSING
WATER MAIN**

REF. & REV.
MARCH 2005

CITY OF MADERA

W-7