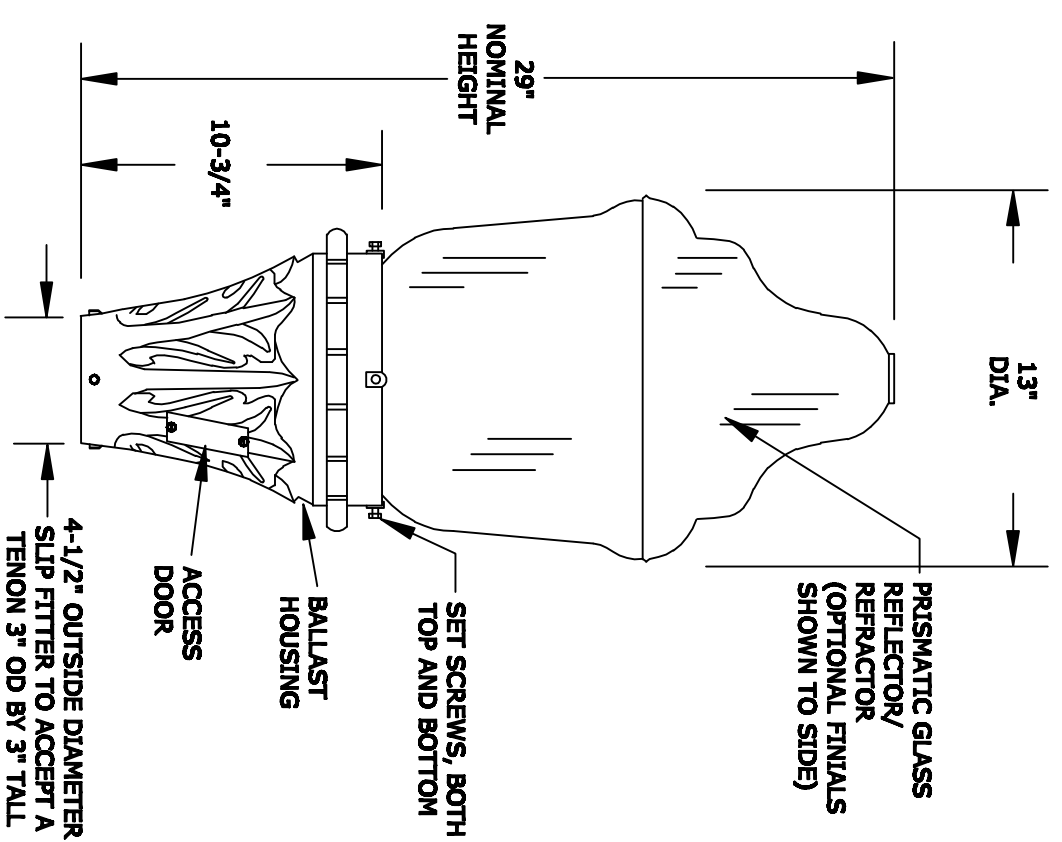
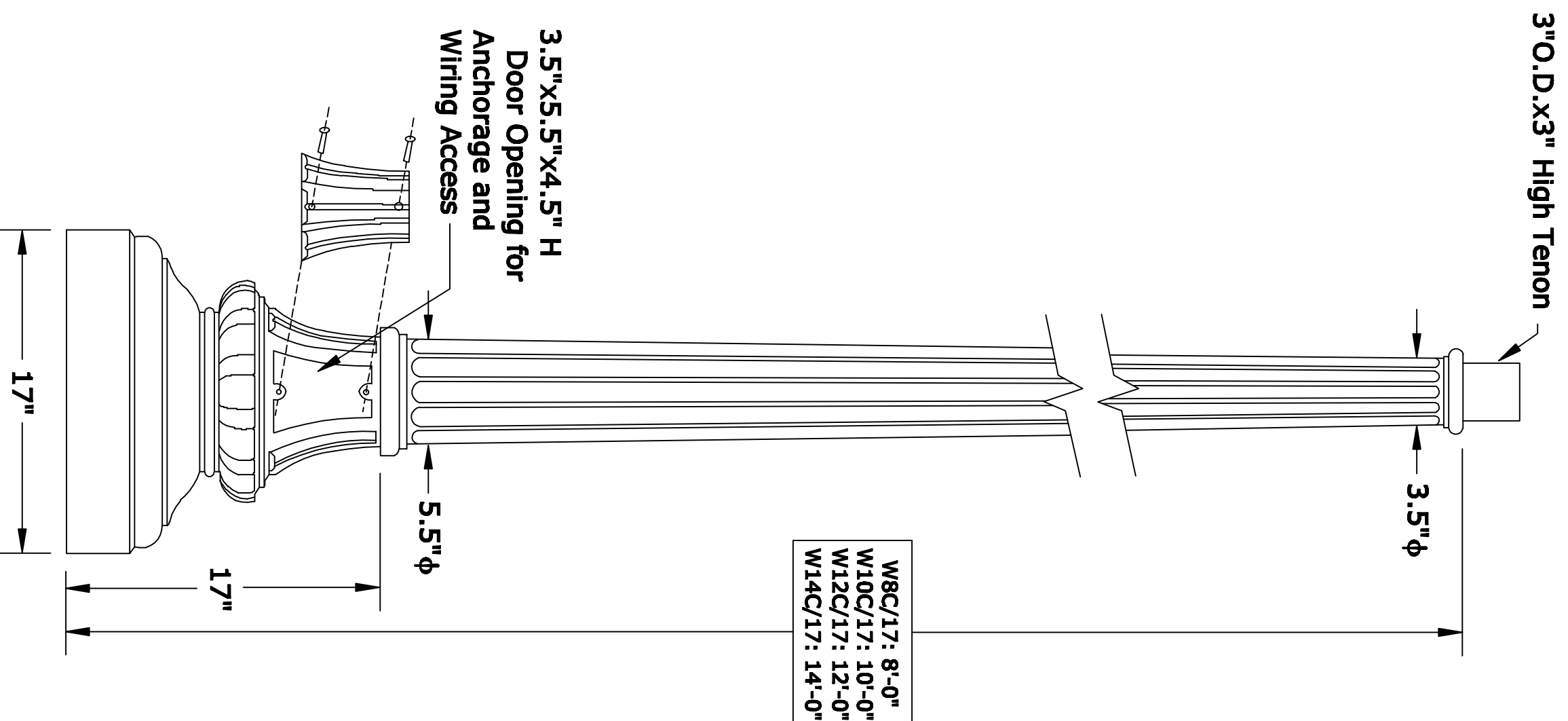


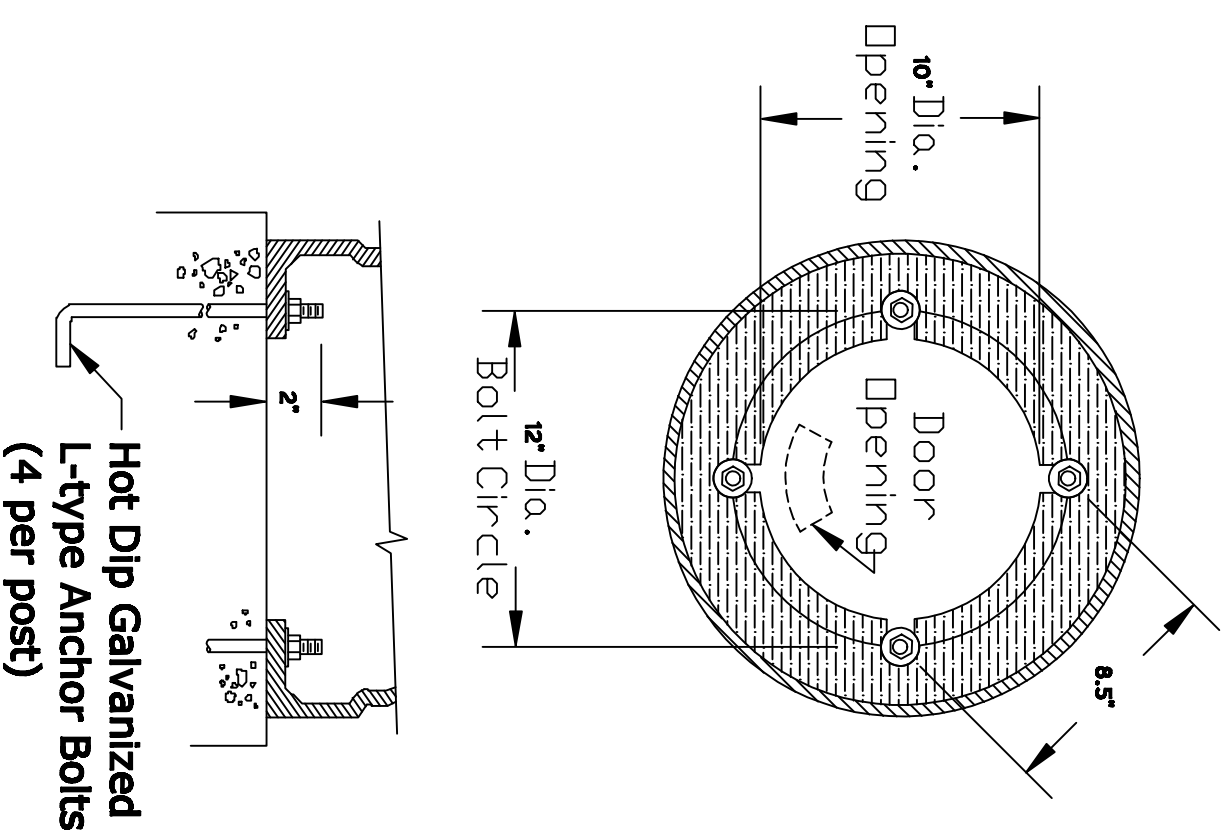
# WADSWORTH Series Cast Aluminum Posts

# GRANVILLE SERIES LUMINAIRE LEAF STYLE CASTING

MAXIMUM WEIGHT-47 lbs.  
MAXIMUM EFFECTIVE PROJECTED AREA-1.26 sq. ft.



## ANCHORAGE GUIDE



DECORATIVE STREET LIGHTS  
DOWNTOWN PARKING DISTRICT ONLY

REF. & REV.  
MARCH 2005  
MAY 2007

CITY OF MADERA

ST-30