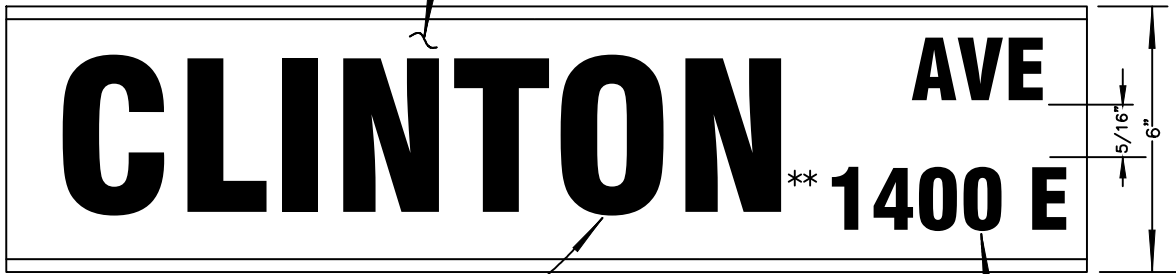
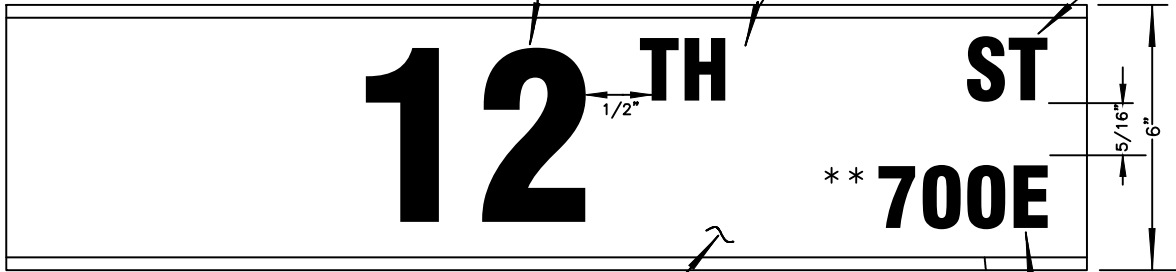


BACKGROUND— GREEN 3-M ENGINEER GRADE OR EQUIVALANT REFLECTIVE SHEETING



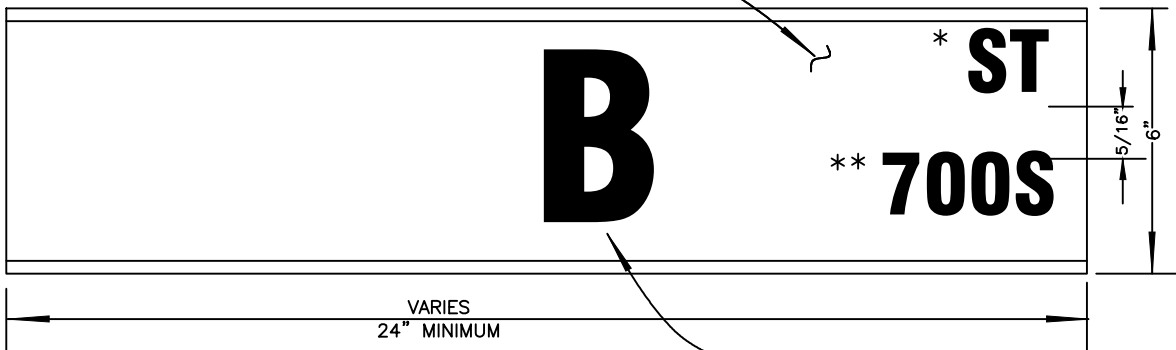
4"x $\frac{8}{16}$ " BLOCK STYLE REFLECTIVE LETTERING (WHITE)

2"x $\frac{5}{16}$ " BLOCK STYLE LETTERING REFLECTING (WHITE)



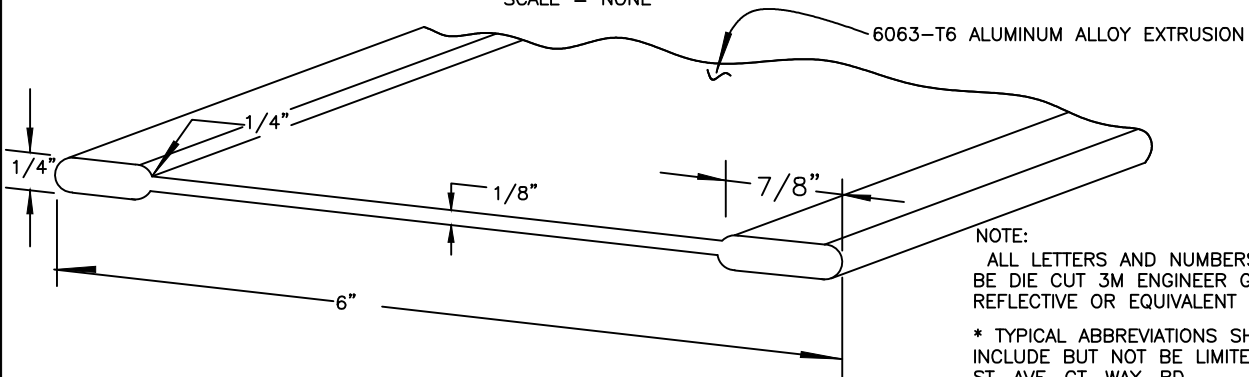
BACKGROUND— GREEN 3-M ENGINEER GRADE OR EQUIVALANT REFLECTIVE SHEETING

2"x $\frac{5}{16}$ " BLOCK STYLE LETTERING REFLECTING (WHITE)



4"x $\frac{8}{16}$ " BLOCK STYLE REFLECTIVE LETTERING (WHITE)

SIGN FACE DETAIL
SCALE = NONE



6063-T6 ALUMINUM ALLOY EXTRUSION

NOTE:
ALL LETTERS AND NUMBERS SHALL BE DIE CUT 3M ENGINEER GRADE REFLECTIVE OR EQUIVALENT

* TYPICAL ABBREVIATIONS SHALL INCLUDE BUT NOT BE LIMITED TO: ST, AVE, CT, WAY, RD

** BLOCK NUMBERING SHALL ONLY BE INSTALLED WHERE STREET IS DISCONTINUOUS OR IS REQUIRED TO DIFFERENTIATE THE BLOCK IF IT EXISTS IN BOTH AN EAST-WEST OR NORTH-SOUTH PORTION OF THE CITY.

SIGN PLATE DETAIL
SCALE = NONE

STREET NAME SIGN

REF. & REV.
AUG. 2008
FEB. 2011

CITY OF MADERA

ST-26