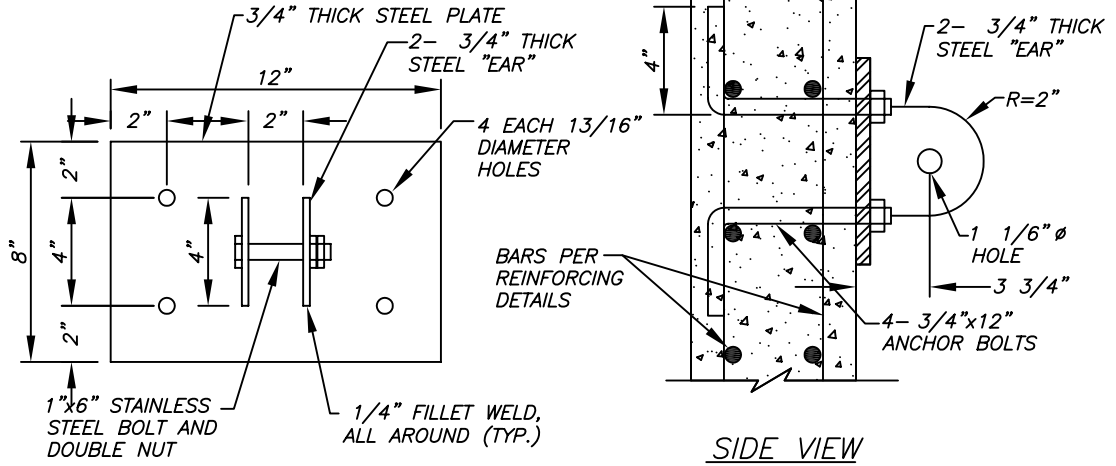


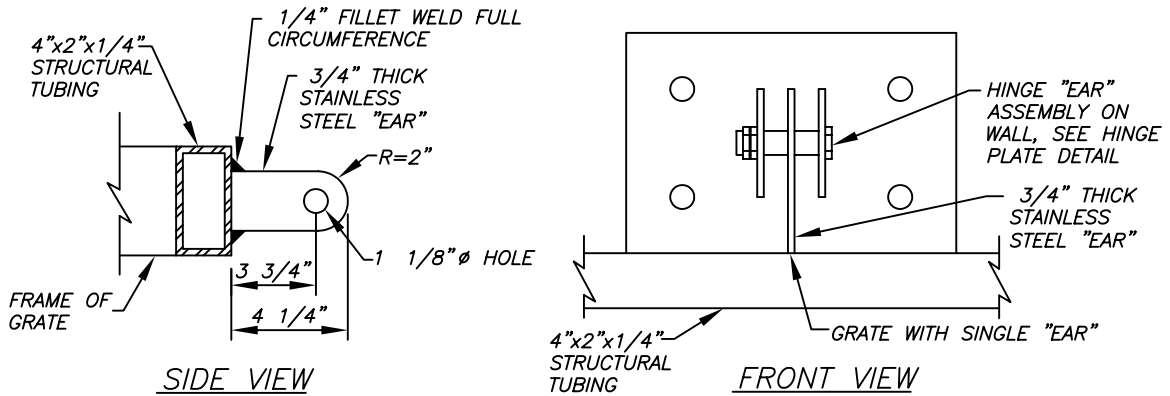
GRATE WELDING DETAIL



FRONT VIEW

SIDE VIEW

HINGE PLATE DETAIL



SIDE VIEW

FRONT VIEW

GRATE EAR DETAIL

STORM DRAIN OUTLET GATE  
DETAIL

REF. & REV.  
JUNE 2005

CITY OF MADERA  
SD-2H