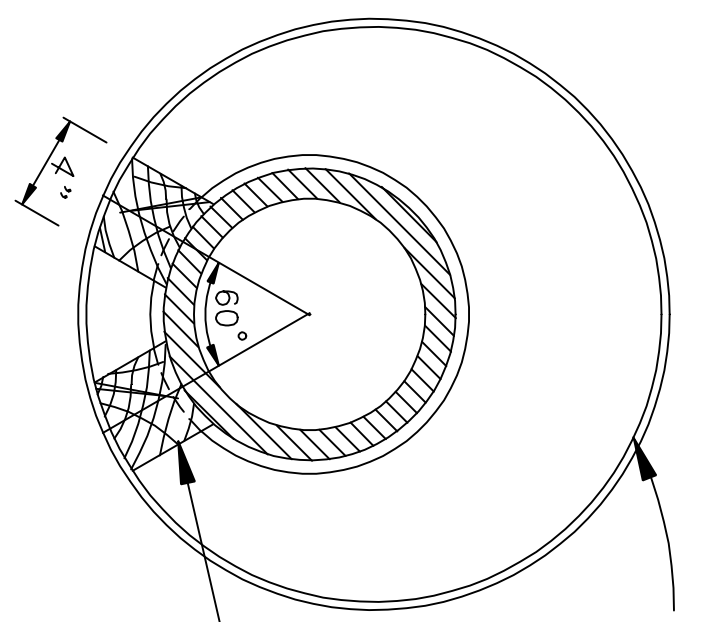
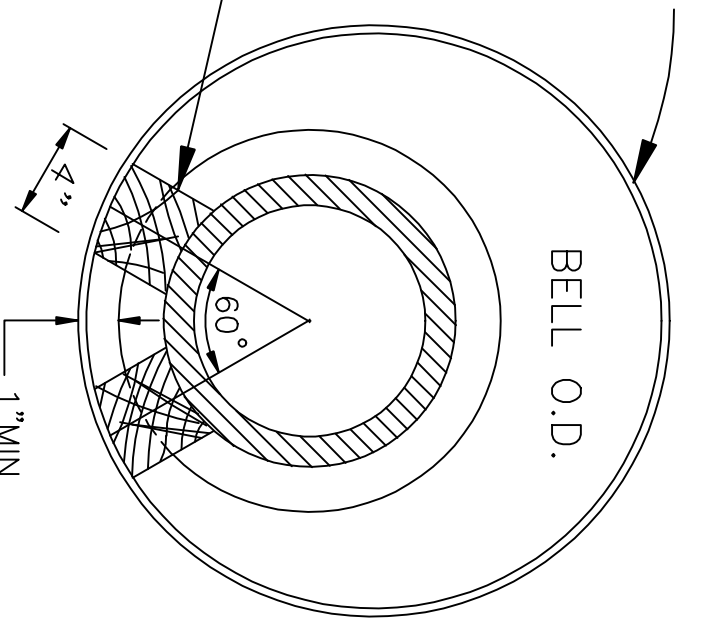


BELL-LESS PIPE

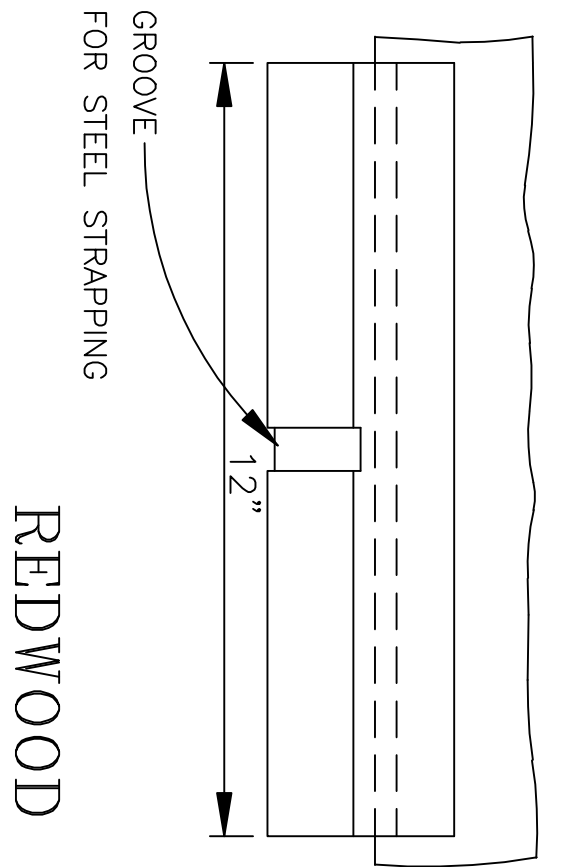
BELL PIPE



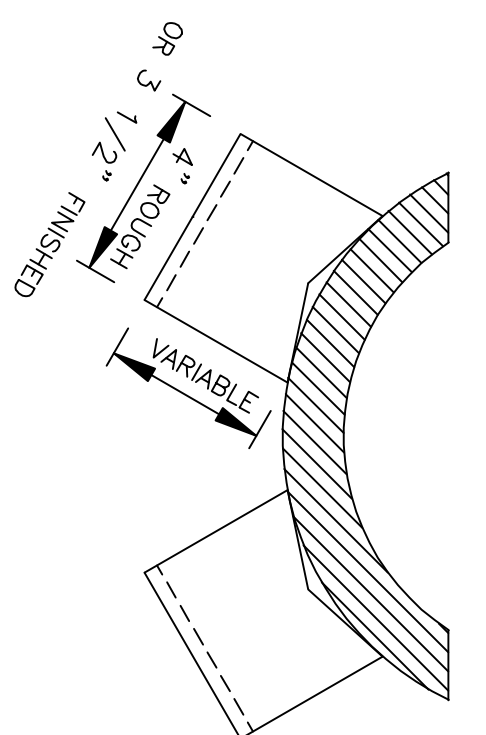
SECTION A-A



SECTION B-B



REDWOOD BLOCK DETAIL



- NOTES:
1. REDWOOD BLOCKS SHALL BE CONSTRUCTION GRADE.
  2. REDWOOD BLOCKS SHALL BE VEED TO FIT CONTOUR OF PIPE.
  3. WHEN JACKING, CASING GRADE SHALL BE SET SO CENTER LINE OF CASING SHALL COINCIDE WITH CENTER LINE OF SEWER PIPE.
  4. REDWOOD BLOCKS SHALL BE STRAPPED TO THE PIPE WITH STEEL STRAPPING OR APPROVED WIRE BANDS.
  5. PLUG ENDS OF CASING WITH 12 INCHES MINIMUM OF CONCRETE.
  6. CONCRETE SHALL BE CLASS "B" P.C.C..

INSTALLATION OF SEWER PIPE  
IN JACKED STEEL CASING

REF. & REV.  
MARCH 2005  
MAY 2007

CITY OF MADERA