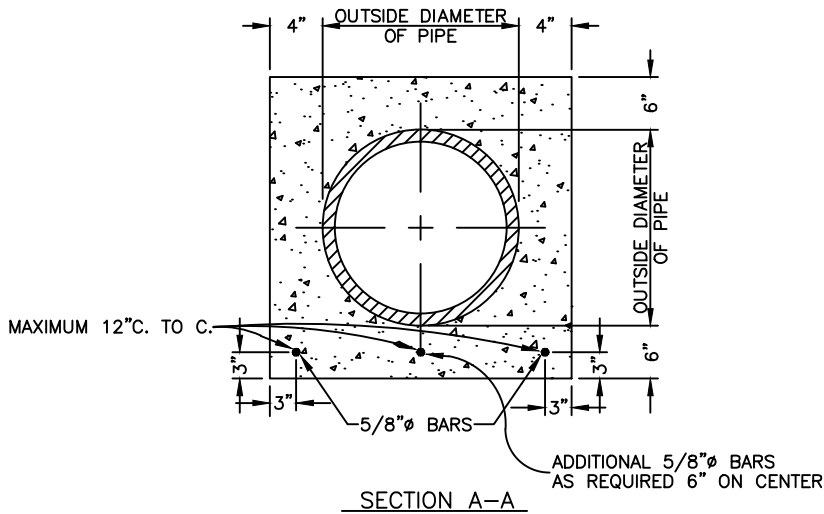


TYPICAL SECTION



- NOTE:
1. THIS DETAIL TO BE APPLIED IN CASES DESIGNATED BY THE CITY ENGINEER.
 2. PIPE BEDDING AND TRENCH BACKFILL SHALL BE IN ACCORDANCE WITH CITY OF MADERA STANDARD DRAWING S-10.