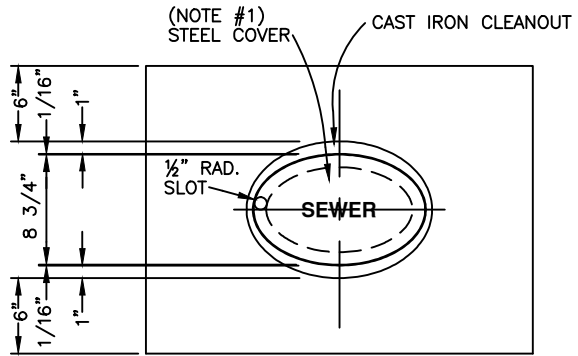
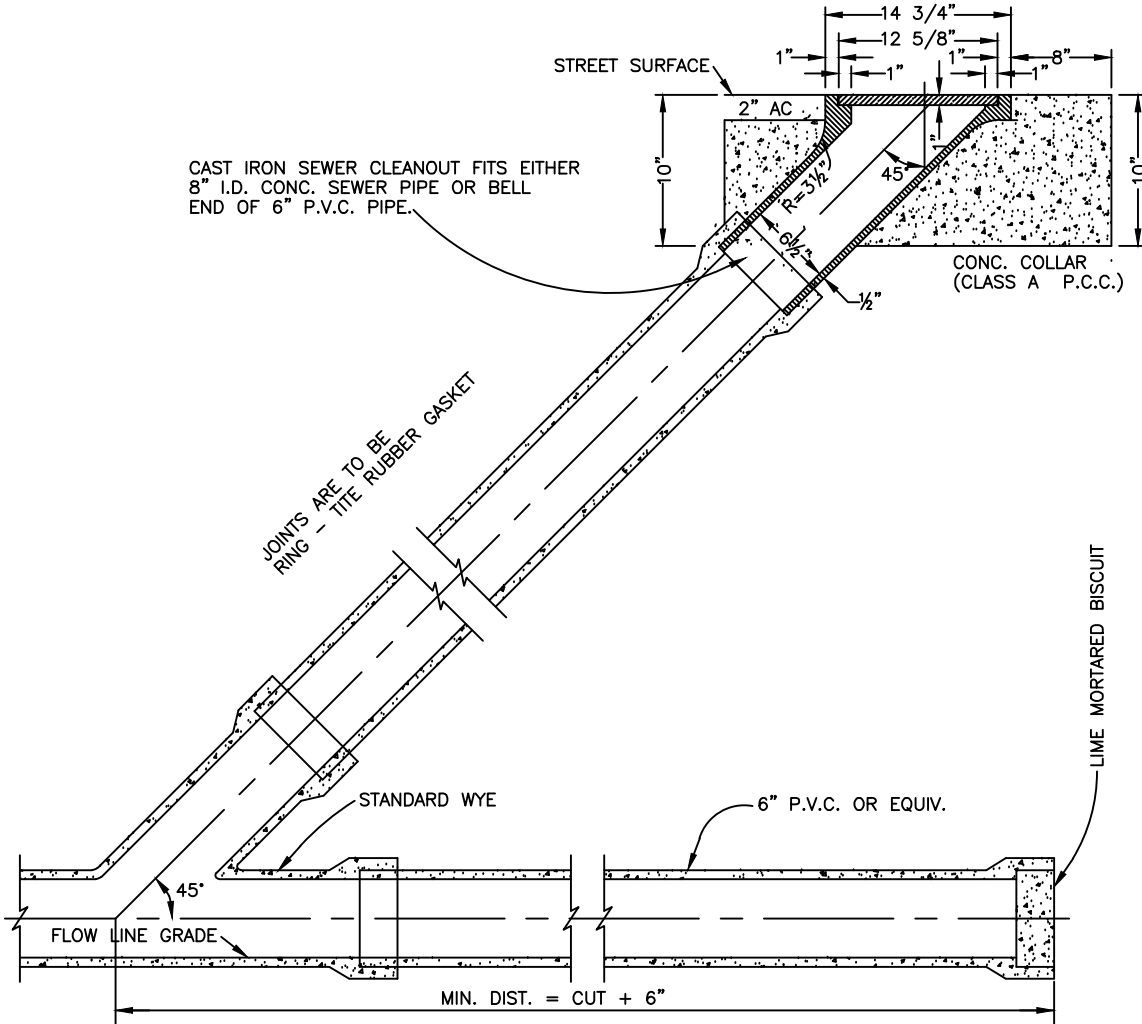


**NOTES**

1. IDENTIFY ALL CLEANOUT COVERS "SEWER" OR "STORM DRAIN" RESPECTIVELY AS SHOWN.



CAST IRON SEWER CLEANOUT FITS EITHER 8" I.D. CONC. SEWER PIPE OR BELL END OF 6" P.V.C. PIPE.



**TO BE USED SOLELY FOR THE  
REPAIR OF EXISTING LAMPHOLES**

**LAMPHOLE SEWER  
CLEANOUT**

REF. & REV.  
MARCH 2005  
MAY 2007

CITY OF MADERA

S-7