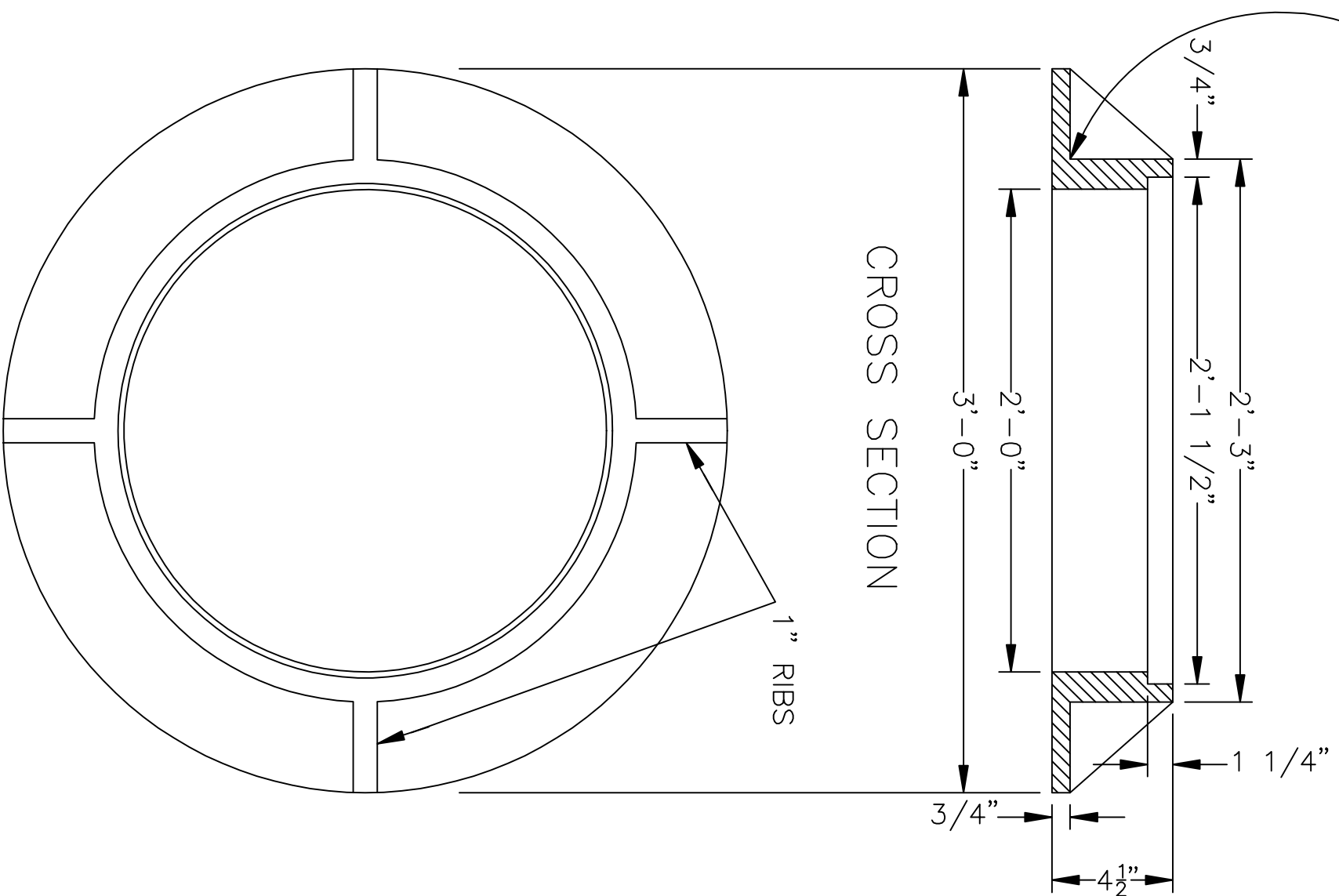


- NOTE:
1. ALL MATING CONTACT SURFACES ON THE FRAME AND COVER SHALL BE MACHINED.
 2. ALL MANHOLE COVERS SHALL BE LABELED SANITARY SEWER.

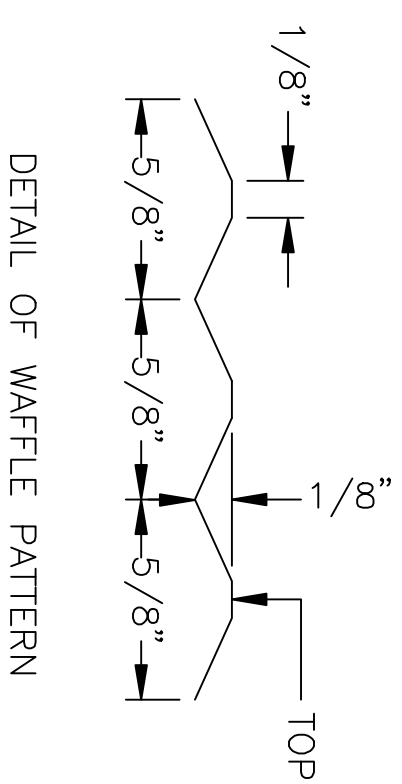
CAST IRON FILLETS AT ALL RE-ENTRANT ANGLES



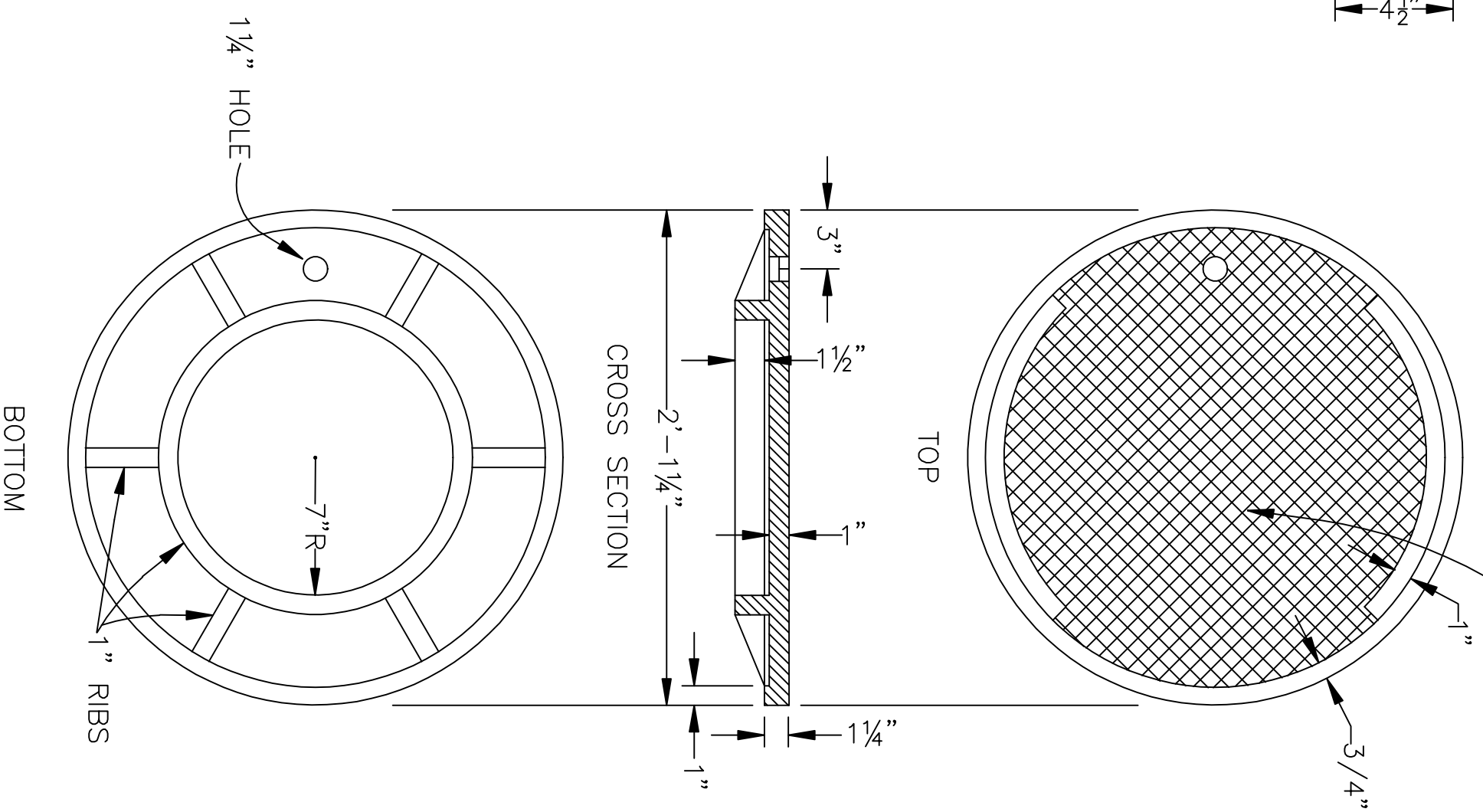
MANHOLE FRAME

PLAN

1" RIBS



LABEL, SEE NOTE 2



CAST IRON MANHOLE FRAME AND COVER

REF. & REV.
MARCH 2005
MAY 2007

CITY OF MADERA

S-6