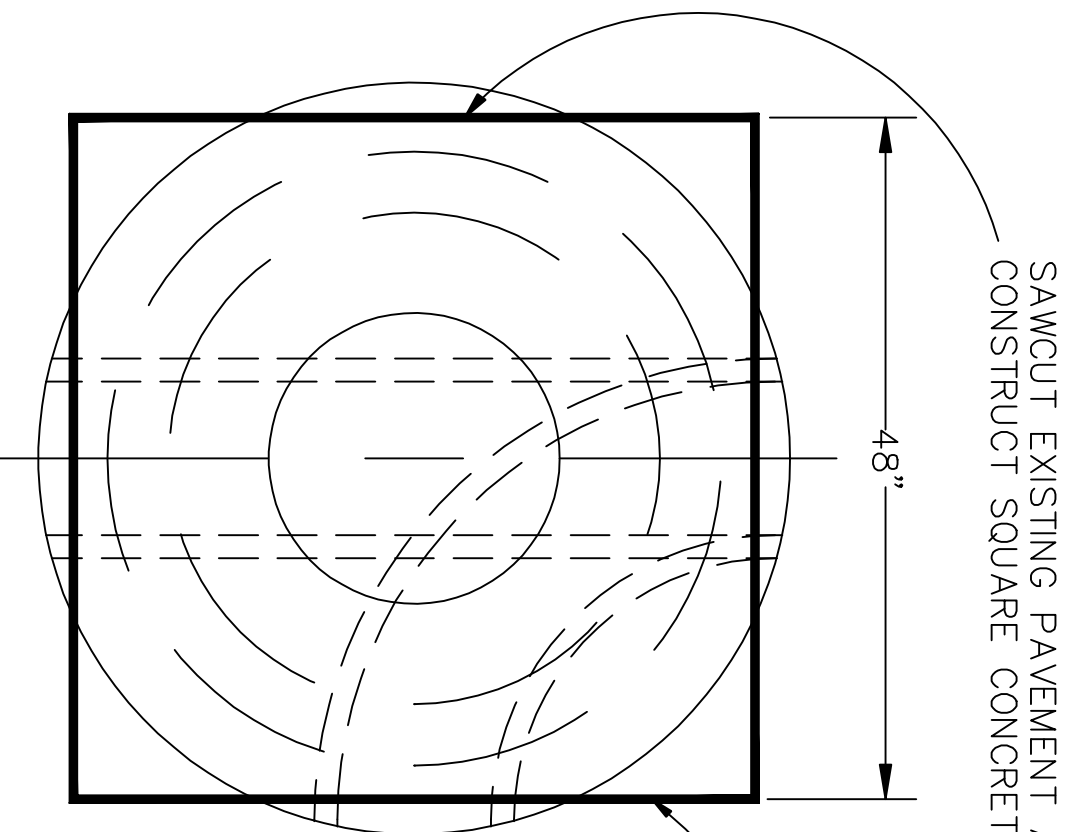


PLAN VIEW SHOWING  
QUARTER BEND TO BE  
USED IN RIGHT ANGLE FLOW  
MANHOLES.



SAWCUT EXISTING PAVEMENT AND  
CONSTRUCT SQUARE CONCRETE COLLAR.

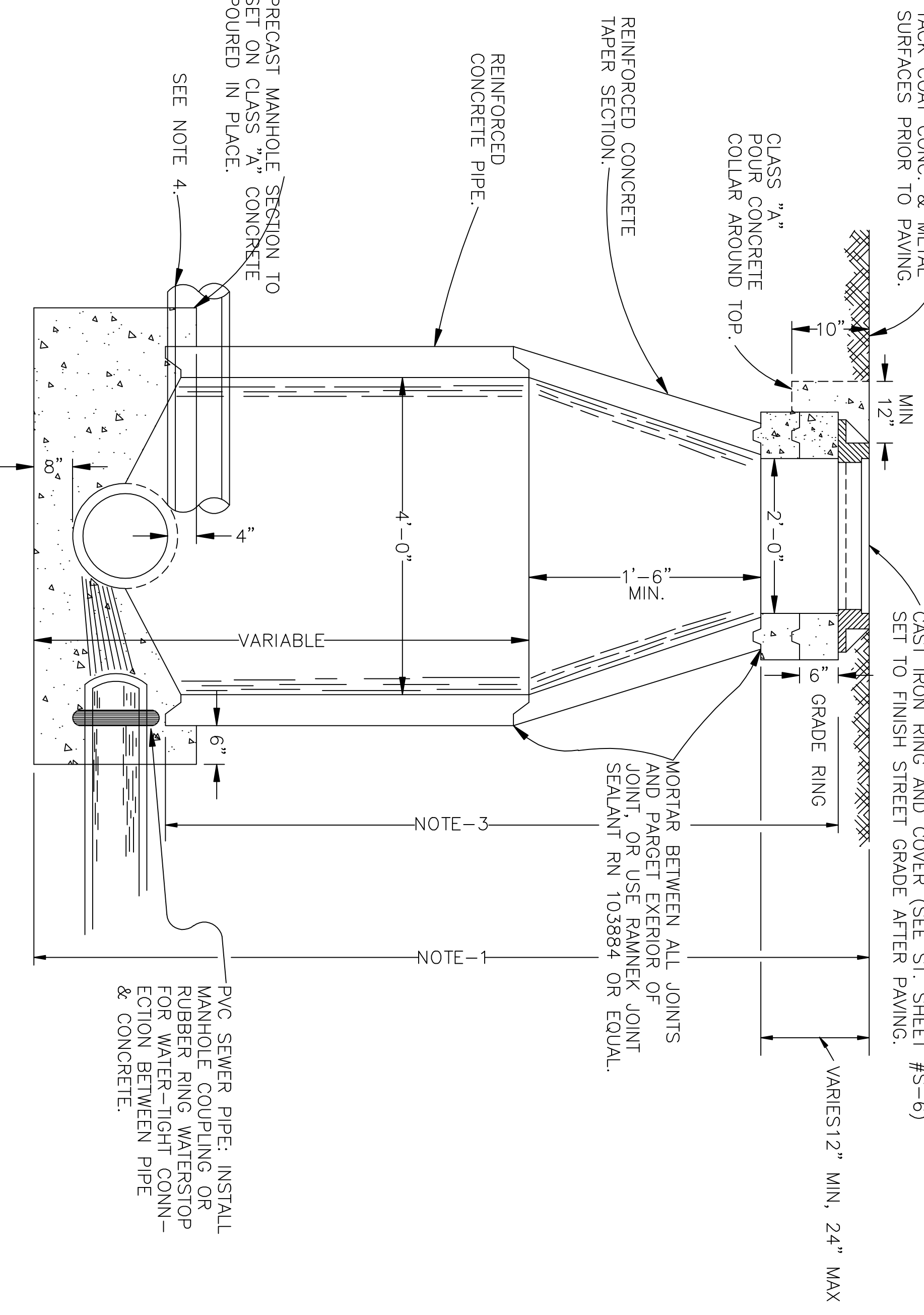
USE EDGING TOOL AROUND PERIMETER

QUARTER TURNS TO BE  
CONSTRUCTED TO FORM A  
SMOOTH FLOW LINE OF  
SAME SHAPE AND PATTERN  
AS BOTTOM WALL OF PIPE.

ALL STRAIGHT PIPE TO BE LAID  
THROUGH MANHOLES WITH TOP  
HALF REMOVED TO PROVIDE AT  
LEAST A 44" OPENING. ROUGH  
BROKEN EDGES SHALL BE  
MORTARED SMOOTH, THIS ALSO  
INCLUDES UPPER ENDS OF LINE  
MANHOLE. AN ALTERNATE METHOD  
VIA HAND SHAPING MAY BE USED,  
SUBJECT TO APPROVAL & INSPEC-  
TION BY THE CITY ENGINEER.

TO BE PAVED WITH A.C.  
TACK COAT CONC. & METAL  
SURFACES PRIOR TO PAVING.

CAST IRON RING AND COVER (SEE ST. SHEET #S-6)  
SET TO FINISH STREET GRADE AFTER PAVING.



REINFORCED CONCRETE  
TAPER SECTION.

CLASS "A"  
POUR CONCRETE  
COLLAR AROUND TOP.

REINFORCED  
CONCRETE PIPE.

PRECAST MANHOLE SECTION TO  
SET ON CLASS "A" CONCRETE  
POURED IN PLACE.

SEE NOTE 4.

VARIABLE

MORTAR BETWEEN ALL JOINTS  
AND PARGET EXTERIOR OF  
JOINT, OR USE RAMNEK JOINT  
SEALANT RN 103884 OR EQUAL.

NOTE - 3

NOTE - 1

PVC SEWER PIPE: INSTALL  
MANHOLE COUPLING OR  
RUBBER RING WATERSTOP  
FOR WATER-TIGHT CONN-  
ECTION BETWEEN PIPE  
& CONCRETE.

NOTES:

1. FOR MANHOLES OF DEPTHS GREATER THAN 8'-0" (FROM LOWEST INVERT TO FINISHED GRADE), FOUNDATION SLAB SHALL BE ENGINEERED / DESIGNED AND DETAILS SUBMITTED TO THE CITY ENGINEER FOR APPROVAL.
2. PRE-CAST PIPE, ADJUSTMENT RINGS AND TAPERED SECTIONS SHALL BE CLASS II R.C.P. IN ACCORDANCE WITH ASTM C478. ELLIPTICAL SINGLE LINE REINFORCEMENT WILL NOT BE PERMITTED.
3. SERVICE LATERALS SHALL NOT BE CONNECTED TO MANHOLE.
4. FOR INCOMING PIPE, MATCH TOP OF PIPE, EXCEPT THAT AN ENGINEERING ANALYSIS WILL BE REQUIRED WHEN CONNECTING SMALLER DIAMETER PIPES TO AN INTERCEPTOR SEWER LINE OF DIAMETERS EQUALING 18 INCHES OR GREATER.

# 48 INCH SEWER MANHOLE

REF. & REV.  
JUNE 2005  
AUG. 2008

CITY OF MADERA

S-1