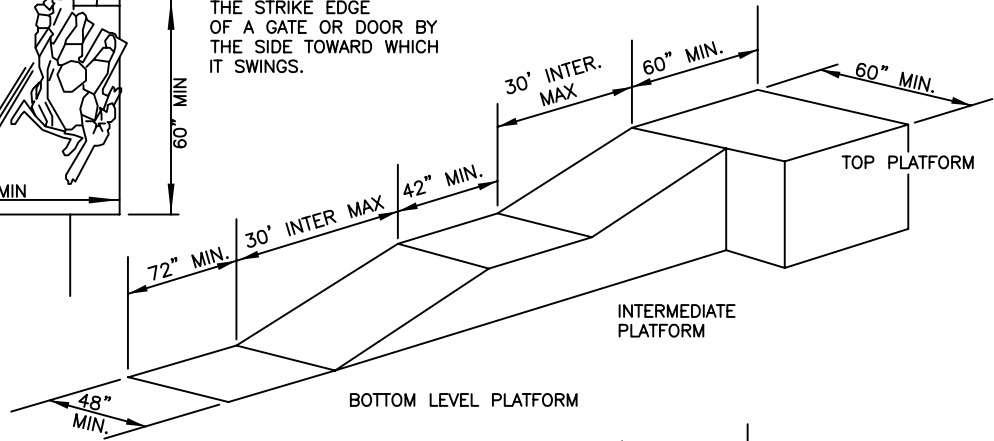
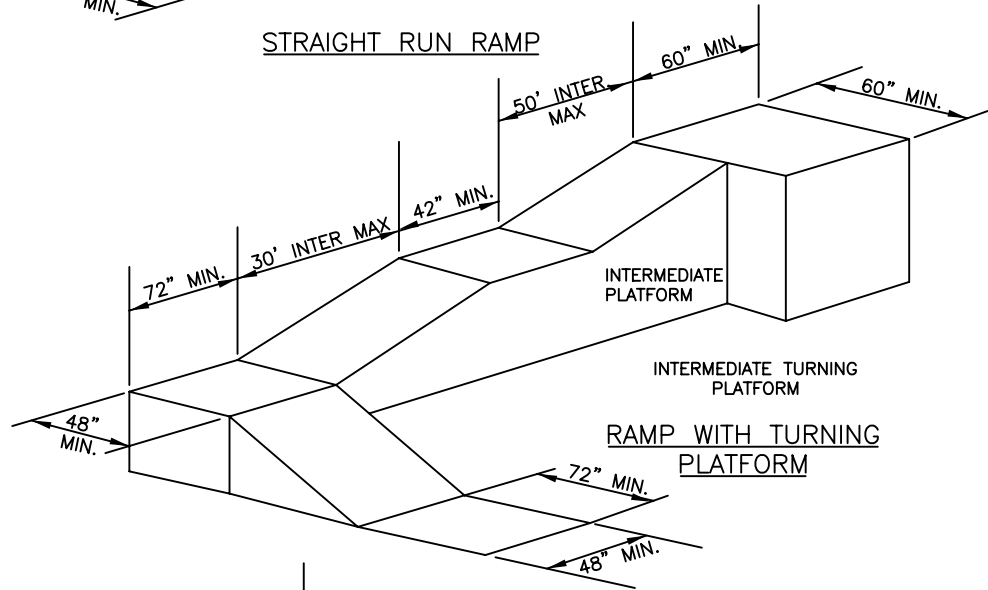


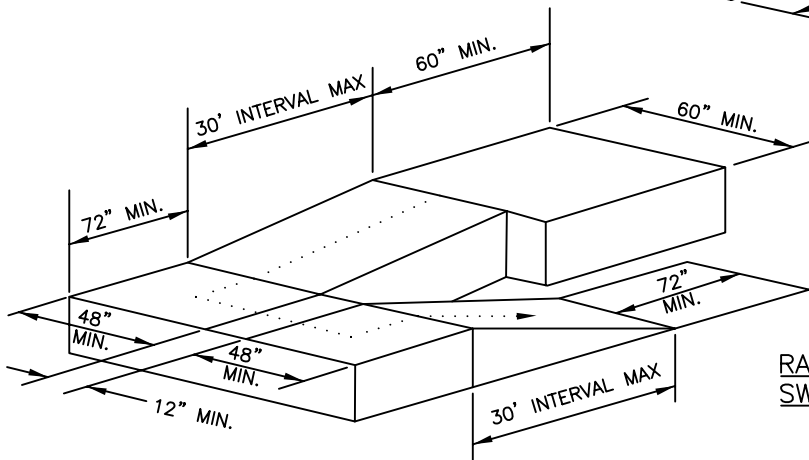
24" MINIMUM REQUIRED BEYOND THE STRIKE EDGE OF A GATE OR DOOR BY THE SIDE TOWARD WHICH IT SWINGS.



STRAIGHT RUN RAMP



RAMP WITH TURNING PLATFORM



RAMP WITH INTERMEDIATE SWITCHBACK PLATFORM

NOTES:

1. MAXIMUM HORIZONTAL DISTANCE OF EACH RAMP VARIES WITH ITS SLOPE. SEE B-6 FOR NOTES AND CHART.
2. SEE B-6 FOR CONSTRUCTION REQUIREMENTS.